



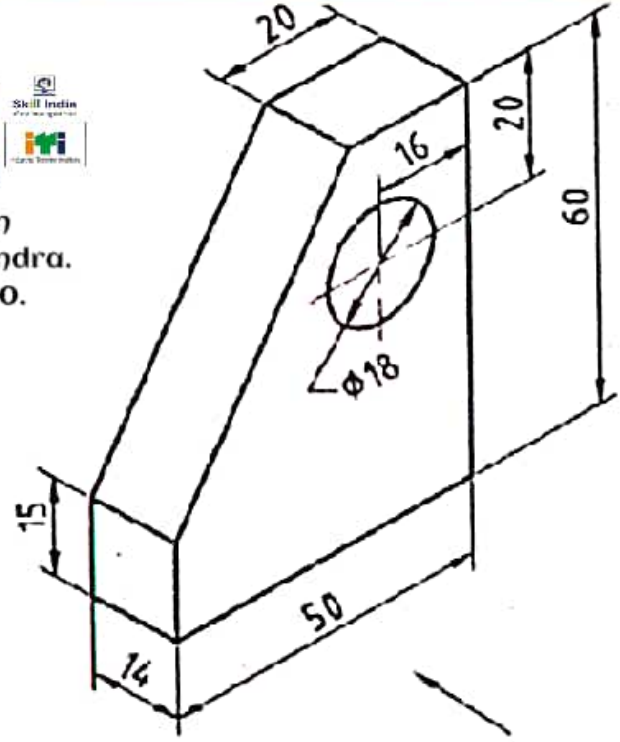
BISHNUPUR PUBLIC PRIVATE ITI

Approved by DGET and Affiliated by NCVT, New Delhi &
Accredited by QCI
(AN ISO 9001:2015 CERTIFIED TRAINING INSTITUTE)

ESTD: 2015 Siromonipur, Bishnupur, Bankura, 722122 [W.B.]



Engg. Drawing Examination
Exam Taken By : Mr. Rahul Chandra.
Date : 10th September, 2020.
Time: 2.00pm to 3.30pm.
Merks: 20



Question :

- 1) Draw The Front View , top view & Side view of following fig.
- 2) Draw a regular hexagone of 30mm base side.



BISHNUPUR PUBLIC PRIVATE ITI

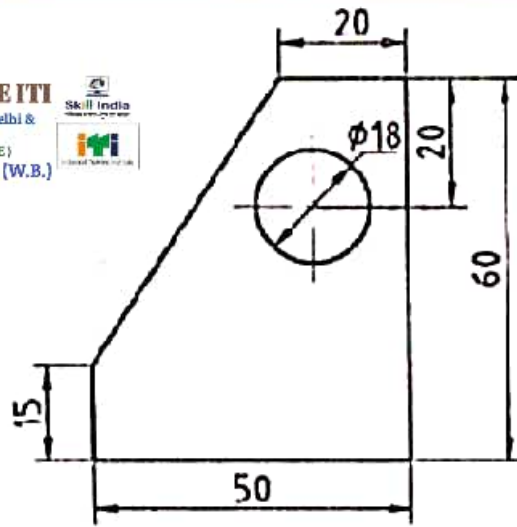
Approved by DGERT and Affiliated by NCVT, New Delhi & Accredited by QCI

(AN ISO 9001:2015 CERTIFIED TRAINING INSTITUTE)

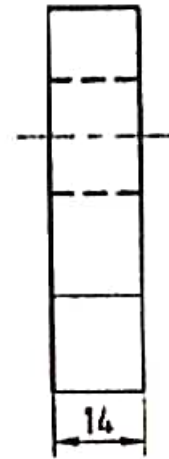
ESTD: 2015 Siromonipur, Bishnupur, Bankura, 722122 (W.B.)



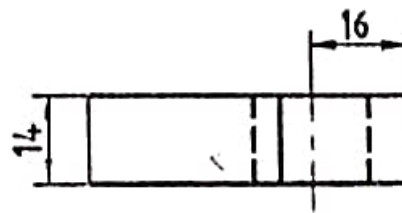
Answer Sheet



FRONT VIEW



LEFT SIDE VIEW



TOP VIEW